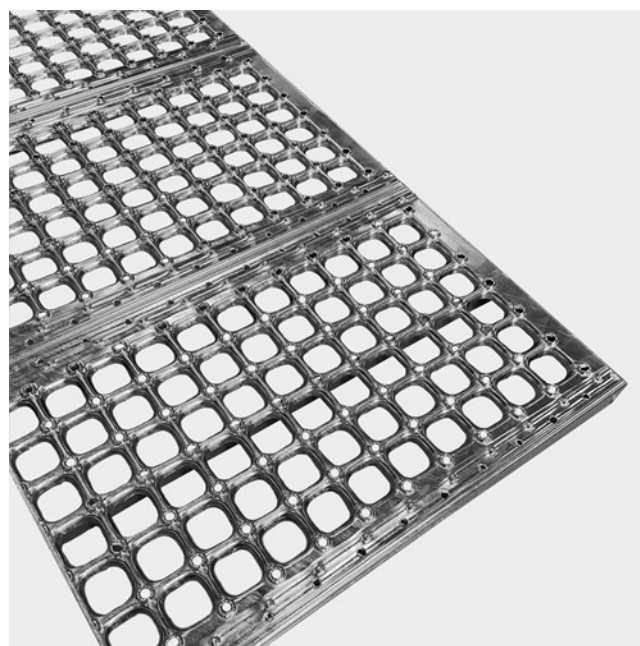




Plank Grating CUBE 30 Oyster

Steel 240 YP

Discover the next level of industrial gratings with CUBE 30, where innovation meets strength and versatility. Crafted with precision, these gratings redefine industry standards, offering a blend of lightweight design and remarkable robustness. With 30mm height and 1.5 mm thickness, CUBE 30 gratings are lighter products with great strength, making them ideal for industrial projects where the EN-ISO-14122 standard is applicable. CUBE 30 gratings can advantageously replace mesh gratings with mesh sizes from 30mm to 45mm. Designed with the Oyster punched holes, the gratings are R12-slip resistant acc. to DIN 51130. The CUBE 30 design allows for high flexibility regarding strength. With the unlimited possibility of installing reinforcement bars, the gratings and planks quickly adapt to the needed strength criteria.



Specifications

| | |
|-----------------------------------|--|
| Displacement space | V10 acc. to DIN 51130 |
| Flange design | High Strength Rolled - HSR [] |
| Slip resistance | R12 = 35° > slope > 27° acc. to DIN 51130 |
| Upward grip holes | Oyster - serrated dia 6,5 |
| Downward drainage holes | 34x34 mm |
| C-C grid | 43,5 x 43,5 mm |
| Concentrated load capacity | 1,5 kN / 200 x 200 mm acc. to EN ISO 14122 |
| Uniform distributed load capacity | 2 kN/m ² acc. to EN ISO 14122 |
| Ball proof | 35 mm in accordance with EN ISO 14122-2 |
| | 550 °C |

Suitable application areas

Access Walkways & Maintenance Platforms

Industrial flooring

Mezzanines



PcP
Sverigesvej 2-4 - DK-7480 Vibbjerg

+45 97 13 12 00
info@pcp-corp.com

Accessories

Fixing clip, upper part Ma44/CUBE

Fixing clip, lower part

Related products

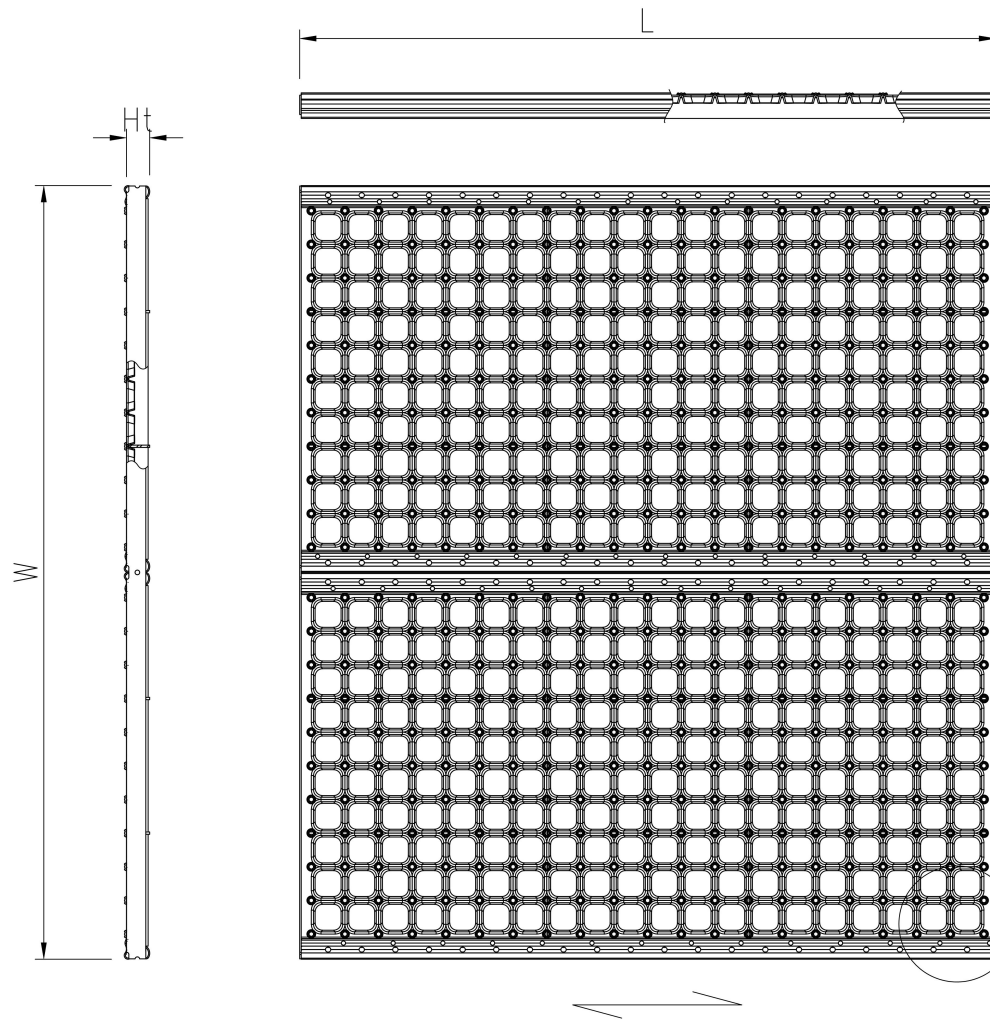
Fixing clip, upper part Ma44/CUBE

Fixing clip, lower part

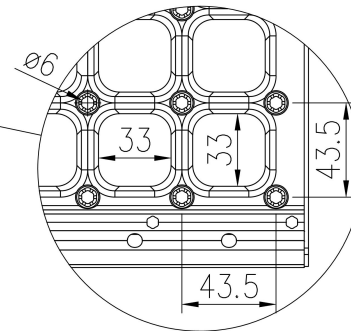
Plank CUBE 30 Oyster

Standard dimensions

| Length (mm) | Width (mm) | Height (mm) | Mat. thickness (mm) | Finish | Item number |
|----------------|---------------|----------------|------------------------|--------------------|-------------|
| 1000 | 1000 | 30 | 1.5 | Mill finish | F004770100 |
| 1000 | 1000 | 30 | 1.5 | Hot-dip galvanised | F004770101 |
| 900 | 1000 | 30 | 1.5 | Mill finish | F004780100 |
| 1000 | 900 | 30 | 1.5 | Hot-dip galvanised | F004780101 |
| 800 | 1000 | 30 | 1.5 | Mill finish | F004790100 |
| 800 | 1000 | 30 | 1.5 | Hot-dip galvanised | F004790101 |
| 700 | 1000 | 30 | 1.5 | Mill finish | F004800100 |
| 700 | 1000 | 30 | 1.5 | Hot-dip galvanised | F004800101 |



- c-c grid: 43,5 x 43,5 mm
- Upward grip holes: Oyster - serrated dia 6,5 mm
- Downward drainage holes: 34 x 34 mm



PcP

Product name
CUBE30 Plank Grating